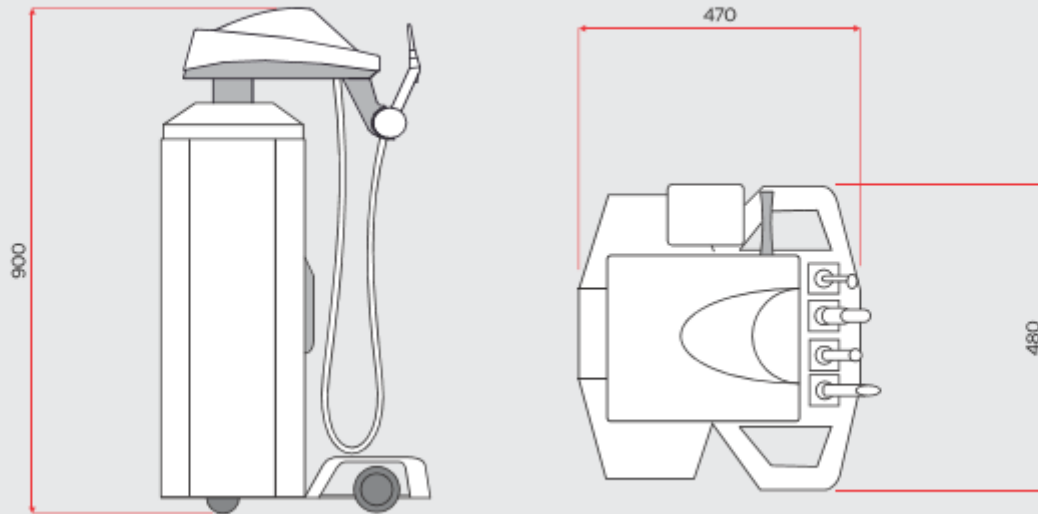


UNITÀ OPERATIVA / OPERATING UNIT **QUASAR**



Caratteristiche tecniche / Technical specifications

- > Voltaggio operativo / Operating voltage: 24V
- > Aria / Air feed: 5 bar, 50 l/min.
- > Alimentazione / Power supply: 230v, 250W
- > Peso / Weight: 40 kg.

COLORI DISPONIBILI

AVAILABLE COLOURS

 SMD-28 BLACK	 SMD-18 CARBON	 SMD-27 TITANIUM
 SMD-121 ANTRACIT	 SMD-15 SILVER	 SMD-29 LIGHT GREY
 SMD-14 WHITEICE	 SMD-51 GOLD	 SMD-11 SAND
 SMD-12 PEACH	 SMD-19 ORANGE	 SMD-20 RED
 SMD-711 BORDEAUX	 SMD-116 QUARZO ROSA	 SMD-70 PURPLE
 SMD-114 LILLA	 SMD-41 POYNESIAN GREEN	 SMD-40 LIGHT GREEN
 SMD-39 TURQUOISE	 SMD-43 EMERALD	 SMD-42 CADMIO
 SMD-61 LIGHT VIOLET	 SMD-33 COBALTO	 SMD-34 ATLANTIC BLUE